



800-428-8560
midwesthomes4pets.com
P.O. Box 1031
Muncie, Indiana 47308



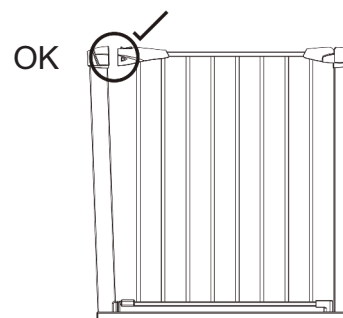
Keeps Pets in a Good Place .

Assembly Instructions for Model Numbers **2929SW-GL; 2939SW-GL; 2929SG-GL; 2939SG-GL**

IMPORTANT INFORMATION

Unwrap and remove all parts from the box. Keep the box and packing material until the product is assembled. In case of return or exchange, failure to return product in similar condition as received could result in limited reimbursement. Please save sales receipt as proof of purchase for warranty purposes. Check to ensure you have all the parts below. If you discover any parts are missing, immediately call our toll-free service helpline at 1-800-428-8560 (Monday - Friday 9 a.m. to 4 p.m. EST) or at info@midwesthomes4pets.com. To protect the finish of your gate use only mild, non-abrasive cleaners and water. Any course scrubbing or abrasive materials could damage the finish.

IMPORTANT: You will notice a GAP between the door latch and the gate frame prior to assembly. **THIS IS NOT A DEFECT.** Your gate is a pressure-mounted gate and this gap will disappear once the gate is properly installed and tightened in the opening. To help with installation, the gate door is zip tied to the frame. For ease of installation, it is recommended that you wait to cut the zip tie until installation of the gate is close to complete, ideally at Step 7.



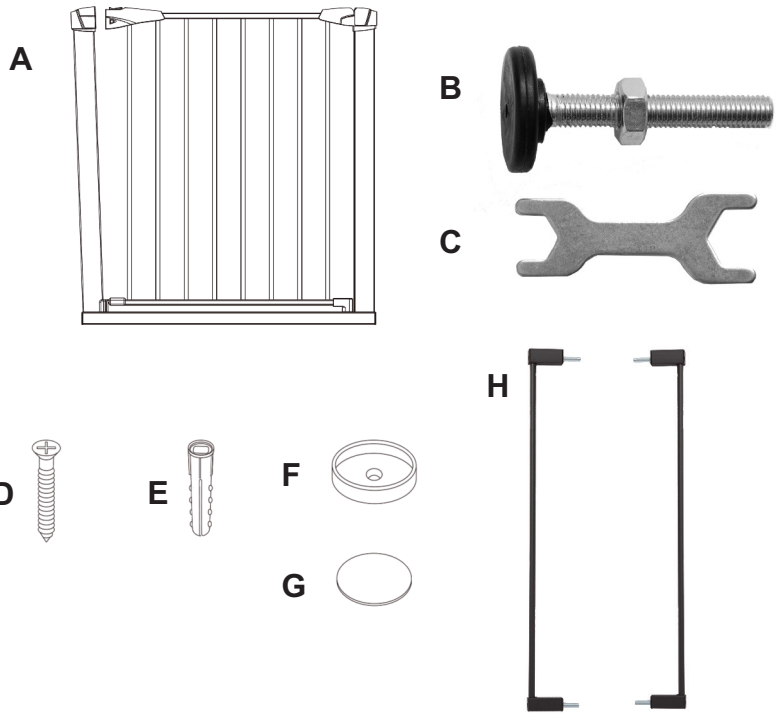
WARNING: This gate is ONLY FOR USE WITH PETS.
This gate is NOT to be used for children. Do not place on top of stairs.
Read and follow all instructions carefully.

- Keep the instructions for future reference. In the future, if additional extensions are purchased, this instruction manual will be needed.
- Improper installation could result in gate becoming unstable or dislodged from the opening.
- Ensure the gate is attached between two clean, structurally sound surfaces.
- Do not remove the safety notices; you may not always be the user.
- Always make sure the extensions are securely attached to the gate before using.
- Regularly check tension knobs and bolts to make sure the gate is securely in place.
- Never use more than two extensions per gate! Never install two extensions on the same side of the gate.
- To prevent falls never use at top of stairs.
- Use only with locking mechanism securely engaged.
- Do not use if any components are missing or damaged.
- Keep small parts away from pets and children.



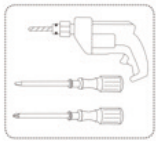
PARTS IDENTIFICATION

- A Gate Frame
- B Threaded Spindle Bolt with Metal Nut (4)
- C Wrench
- D Screws (4)
- E Drywall Anchors (4)
- F Mounting Cups (4)
- G Adhesive Mounting Pads (4)
- H 3" Extension (2)



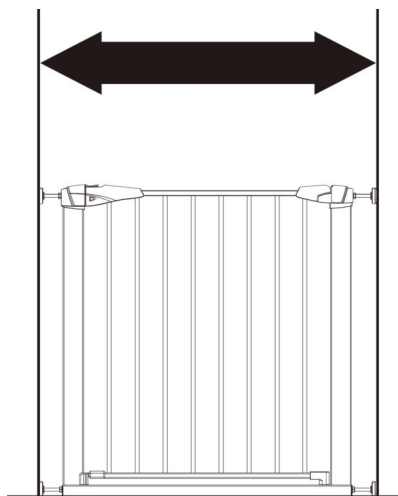
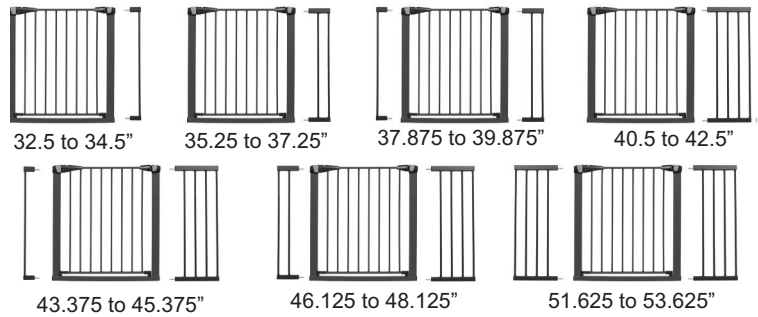
Some Tools May Be Required (Not Included):

- Power Drill
- Phillips Head Screwdriver

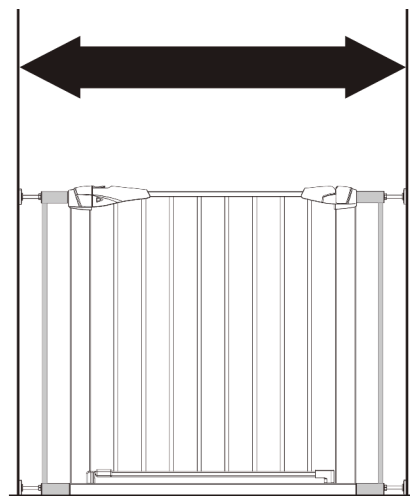


Extension Guide

This gate fits openings 29 inches wide (without the included extensions) to 38 inches wide (with the included 3-inch extensions). If you have an application that requires additional extensions, please contact the retailer from which you purchased your gate. MidWest offers the following extension sizes for your gate (sold separately): 3-inch, 6-inch, and 11-inch. The maximum width that can be achieved is 54 inches.



29" Tall Gate Without Extensions



29" Tall Gate With Two Included 3-inch Extensions
(Additional Extensions Sold Separately)

ASSEMBLY INSTRUCTIONS

For Installation Without Extensions

1. Locate the 4 threaded spindle bolts. Before you begin, turn the metal nuts clockwise until they are close to the plastic pads. NOTE: The nut should not touch the pad. If it does it could get stuck.
2. Insert the 4 threaded spindle bolts into the holes of the plastic inserts in the four ends of the gate frame as shown. NOTE: The plastic inserts are not threaded. The threaded spindle bolts should slide into the inserts without any resistance. Push the threaded spindle bolts all the way in until each metal nut hits the gate frame.



Positioning and Attaching the Mounting Cups to the Opening

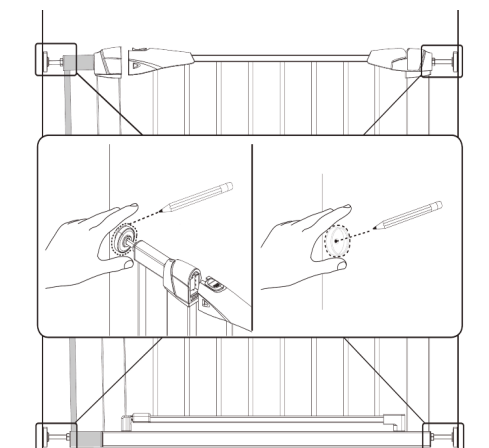
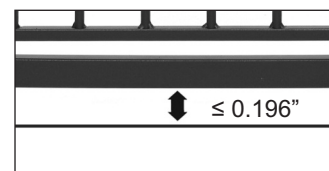
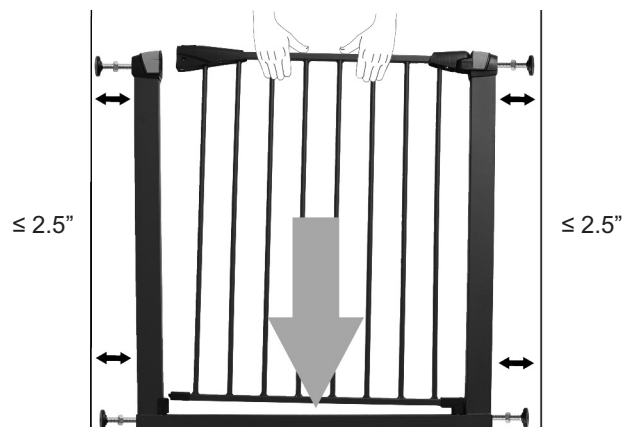
Your gate is a pressure-mounted gate, therefore it is not necessary to use the mounting cups. However, using the mounting cups will affix your gate more firmly in the opening, so you may choose to use them in all applications. If you choose **not** to use the mounting cups, you may skip to Step 4 now.

3. Before attaching your mounting cups to the opening, make sure you have correctly marked the placement of the screw holes.

NOTE: It is important to install the gate with a spacing of no more than 0.196" from the floor, and to make sure the gap between the side walls and the gate is no more than 2.5" on each side of the gate.

Position your gate in the opening so it is level and centered as shown. Place the mounting cups over the pad of the threaded spindle bolts, which should already be fully inserted into the ends of the gate. Pull the threaded spindle bolts out until the pad and mounting cup is against the wall. Take a pencil and make a light mark on the wall around the perimeter of the mounting cup.

Repeat with the three remaining spindle bolts and mounting cups. Once you have marked the correct spots on your walls, move the gate aside.



If you intend to use the optional drywall anchors, drill a pilot hole and insert the anchors into the center of each marked circle. (Refer to illustration a/b for use with anchors and illustration c for use without drywall anchors.)

NOTE: The adhesive mounting pads are included only for positioning the mounting cups and must be used in conjunction with screws.

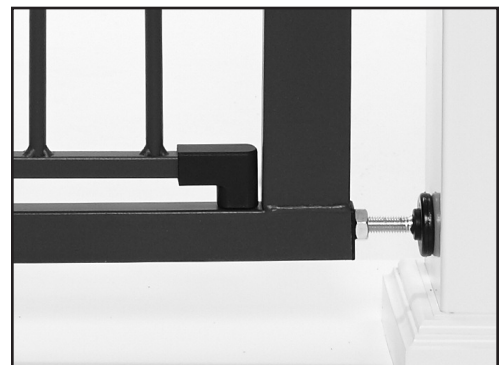
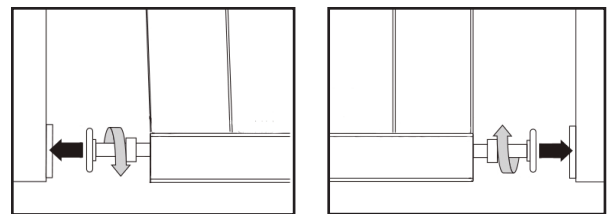
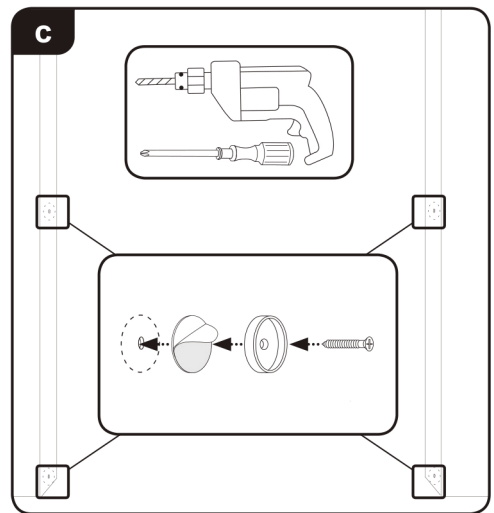
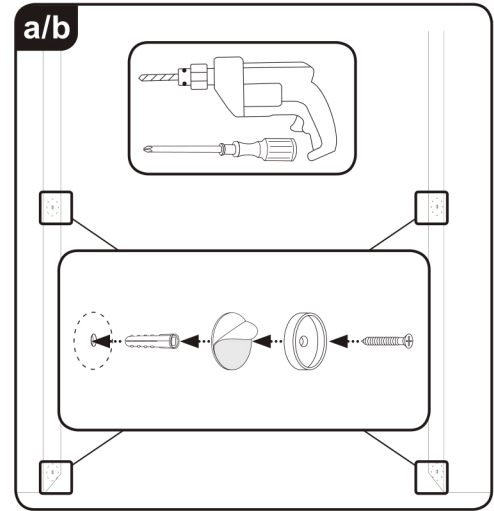
Remove the liner from one side of the adhesive mounting pads, then place and stick a pad inside each of the four pencil-marked circles. Remove the other liner from each mounting pad and place the mounting cups on each pad. Fasten the mounting cups to the wall using the screws included in the hardware bag.

Installing the Gate in the Opening

4. Begin by positioning the gate level and centered in the doorway opening. NOTE: It is important to install the gate with a spacing of no more than 0.196" from the floor, and to make sure the gap between the side walls and the gate is no more than 2.5" on each side of the gate.

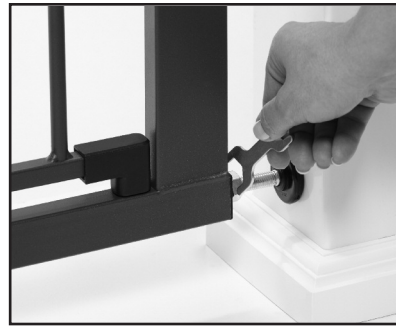
Pull the 4 threaded spindle bolts out of the ends of the frame tubes until the pad touches the wall. **If you are using the mounting cups, the pads should go into the mounting cups that are fastened to your wall.**

5. While holding the pad against the wall, turn the metal nut counter clockwise until the nut is up against the end of the frame as shown. DO NOT TIGHTEN. Go to step 6 for final adjustment. HELPFUL HINT: It might be necessary to hold the threaded spindle bolt while turning the nut to ensure the threaded spindle bolt doesn't turn.

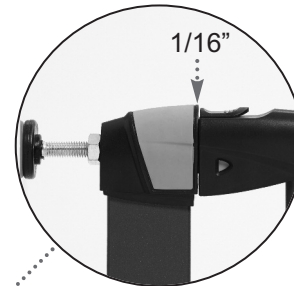


NOTE: If necessary, the wrench is provided for final tightening.

6. To fasten your gate **firmly** in the opening or doorway, start by turning the **BOTTOM** metal nuts first. Continue to turn the nuts counter clockwise until they are firmly against the frame. **IMPORTANT:** There should be equal space on each side of the gate. To easily determine this, look at the length of threaded rod showing. If more threaded rod is showing on one side you can adjust using the metal nuts. Simply turn the side that has too much threaded rod showing clockwise, and then turn the other side counter clockwise until all sides are equal.
7. Repeat Step 6 with the **TOP** metal nuts. Again, there should be equal space on each side of the gate. As you tighten the top you will notice that the gap between the door latch and the frame will begin to narrow. As the gap continues to narrow, continue turning the upper metal nuts until the door latch and the frame are engaged. **NOTE:** If you have not done so already, you can cut the zip tie that held the door and frame together.



Leave a 1/16" gap between the frame and the door latch as shown. **IMPORTANT:** The frame must not touch the door latch. If it does touch you have turned the nuts too much. To correct this simply turn the upper nuts clockwise a few turns until you have a 1/16" gap. Your gate is now ready to use.



To Verify Installation

Push the gate frame to ensure that it is secure in the opening and then push the door to ensure that the upper and lower latches lock securely in the housing of the frame.

NOTE: If gate is too difficult to unlatch, the threaded spindle bolts may be too tight.



Opening and Closing the Door

Pull the release button back with your thumb while pressing up on the button underneath. Lift the door upward and swing open in either direction.

The door will close and latch automatically. If it does not latch, the gate might not be positioned evenly within the opening and perpendicular to the floor. If needed, adjust accordingly. **CAUTION:** After closing the gate, **ALWAYS** check to be certain that it is latched correctly.

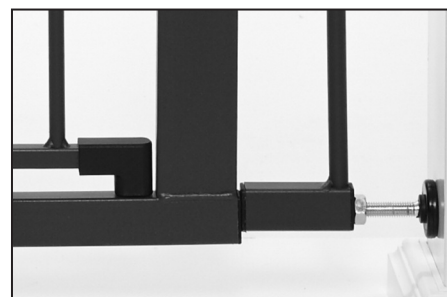


Instructions for Adding 3" Gate Extension

1. Begin by determining which extension or combination of extensions is required for your doorway opening.

NOTE: Additional 3", 6", and 11" extensions are sold separately.

2. Connect the extension rod to the gate frame as shown.
3. Once the required extensions are attached to the gate, insert the threaded spindle bolts into the ends of the extensions and follow the instructions for the pet gate starting from Step 1.



Troubleshooting

If the gate does not stay closed:

1. The upper latch set is not properly adjusted.
SOLUTION: Adjust the upper tension knobs by turning the nuts counter-clockwise to release tension or clockwise to increase tension. Also, ensure that the upper latch button engages securely when the gate swings closed and that it can be released properly when the release button is pushed.
2. The gate is out of alignment.
SOLUTION: Although unusual, some door frames may be out of alignment. In this case you may have adjust the individual tension knobs to ensure that the gate is aligned properly. Remove and re-install the gate making sure it is installed correctly.

Removing Gate From the Opening

To remove your gate from the opening begin by turning the metal nuts clockwise until the flat plastic ends of the threaded spindle bolts come out of the mounting cups or disengage from the wall.

LIMITED MANUFACTURER'S WARRANTY

1. For one (1) year from the date of original purchase, MIDWEST Homes For Pets ("MIDWEST") warrants to the purchaser of this pet gate that, should it prove defective by reason of improper workmanship and/or material, MIDWEST will repair or replace, at its option, any defective part of the pet gate, without charge for the part or for shipping. Replacement parts are warranted for the remainder of the original period.
2. **THIS WARRANTY DOES NOT COVER** defects in the gate or hardware caused by any animal, any physical abuse to or misuse of the pet gate, any damage caused by the original purchaser or any third party, or any defects arising or discovered more than one (1) year from the original retail purchase date.
3. **STEPS TO OBTAIN WARRANTY SERVICE:**
 - A. The purchaser must call MIDWEST's HELPLINE, 800-428-8560, to report the alleged defect to a customer service representative or obtain missing parts.
 - B. The customer service representative will determine if the defect is covered by this warranty, and if it is, will authorize and instruct the purchaser in how to obtain corrective action.
 - C. MIDWEST may require the purchaser to present the sales receipt or other proof of purchase prior to authorizing any return or replacement. No returns or replacements will be permitted without proper authorization. If a return or replacement is authorized, you may be requested to return the item to MIDWEST or to make the item available for pick-up by MIDWEST.
4. **ANY EXPRESS WARRANTY NOT PROVIDED IN THIS WARRANTY DOCUMENT, AND ANY REMEDY FOR BREACH OF CONTRACT THAT, BUT FOR THIS PROVISION, MIGHT ARISE BY IMPLICATION OR OPERATION OF LAW, IS HEREBY EXCLUDED AND DISCLAIMED. THE IMPLIED WARRANTIES OF MERCHANTABILITY AND OF FITNESS FOR ANY PARTICULAR PURPOSE ARE EXPRESSLY LIMITED TO A TERM OF ONE (1) YEAR. SOME STATES DO NOT ALLOW LIMITATIONS ON HOW LONG AN IMPLIED WARRANTY LASTS, SO THE ABOVE LIMITATIONS MAY NOT APPLY TO YOU.**
5. **UNDER NO CIRCUMSTANCES SHALL MIDWEST BE LIABLE TO PURCHASER OR ANY OTHER PERSON OR ANY SPECIAL, INCIDENTAL OR CONSEQUENTIAL DAMAGES, WHETHER ARISING OUT OF BREACH OF WARRANTY, BREACH OF CONTRACT OR OTHERWISE, SOME STATES DO NOT ALLOW THE EXCLUSION OR LIMITATIONS OF INCIDENTAL OR CONSEQUENTIAL DAMAGES, SO THE ABOVE LIMITATIONS OR EXCLUSION MAY NOT APPLY TO YOU.**
6. This warranty gives you specific legal rights, and you may also have other rights which vary from state to state.

For a Complete Listing of Products

Crates • Exercise Pens • Pet Beds
Feed Bowls • Carriers • Kennels . . .

Come Visit Our Website
midwesthomes4pets.com



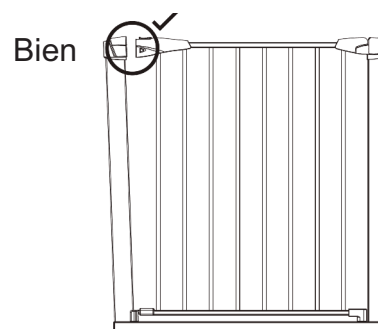
Keeps Pets in a Good Place .

Instructions de montage du modèle numéro **2929SW-GL; 2939SW-GL; 2929SG-GL; 2939SG-GL**

RENSEIGNEMENTS IMPORTANTS

Déballer et retirer toutes les pièces de la boîte. Conserver la boîte et le matériel d'emballage jusqu'à ce que le produit ait été assemblé. En cas de retour ou d'échange, le produit doit être retourné dans son état original, à défaut de quoi le remboursement pourrait être limité. Prière de conserver le coupon de caisse en tant que preuve d'achat à des fins de garantie. Vérifier si toutes les pièces énumérées ci-dessous sont incluses. S'il manque des pièces, appeler immédiatement notre ligne d'assistance sans frais au 1-800-428-8560 (lundi – vendredi, de 9 h à 16 h, HNE) ou écrire à info@midwesthomes4pets.com. Afin de protéger la finition de votre enceinte, utilisez des produits de nettoyage doux non abrasifs et de l'eau. Frotter trop fort ou utiliser des matières abrasives pourrait endommager la finition.

IMPORTANT : vous remarquerez avant l'assemblage qu'il existe un **INTERSTICE** entre le loquet de la porte et le cadre de la barrière. **CELA N'EST PAS UNE DÉFECTUOSITÉ**. Votre barrière s'installe sous pression et cet interstice disparaîtra lorsque la barrière sera bien installée dans l'ouverture. Afin de faciliter l'installation, la porte de la barrière est retenue au cadre par une attache. Pour simplifier l'installation, nous vous recommandons d'attendre que l'installation soit presque terminée – de préférence à l'étape 7 – avant de couper l'attache.



AVERTISSEMENT: Cette barrière doit être UTILISÉE UNIQUEMENT POUR DES ANIMAUX DE COMPAGNIE.

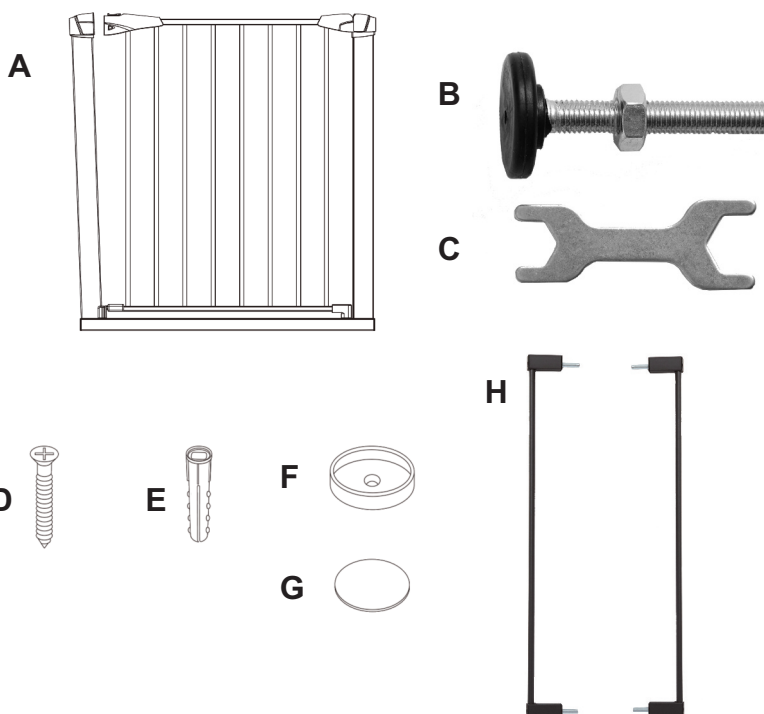
Cette barrière ne doit JAMAIS être utilisée pour des enfants. N'installez jamais la barrière en haut d'un escalier. Veuillez lire attentivement les instructions qui suivent.

- Conservez les instructions pour vous y reporter ultérieurement. Si vous décidez un jour de faire l'acquisition de rallonges, ce manuel d'instructions vous sera nécessaire.
- Une installation défectueuse pourrait permettre à la barrière de devenir instable ou de se déloger de l'ouverture.
- Assurez-vous que la barrière est retenue entre deux surfaces propres et solides.
- Ne retirez pas les étiquettes de sécurité, car d'autres que vous pourraient utiliser la barrière.
- Assurez-vous que les rallonges sont toujours solidement rattachées à la barrière avant de l'utiliser.
- Vérifiez régulièrement la tension des appuis ajustables afin de vous assurer que la barrière tient solidement en place.
- N'utilisez jamais plus de deux rallonges par barrière! N'installez jamais deux rallonges du même côté de la barrière.
- Pour éviter les chutes, n'installez jamais la barrière en haut d'un escalier.
- Assurez-vous que le mécanisme de verrouillage est toujours solidement enclenché.
- N'utilisez pas si un élément quelconque manque ou est endommagé.
- Gardez les petites pièces hors de la portée des animaux et des enfants.



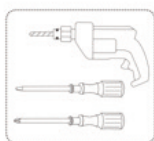
IDENTIFICATION DES PIÈCES

- A Cadre de la barrière
- B Tige filetée avec écrou métallique (4)
- C Clé
- D Vis (4)
- E Ancres pour placoplâtre (4)
- F Coupelles de montage (4)
- G Coussinets adhésifs de montage (4)
- H Rallonges de 7,5 cm (2)



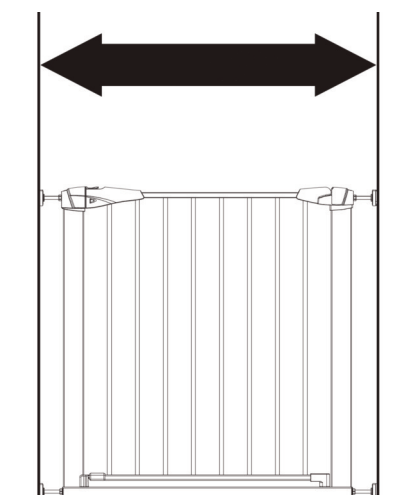
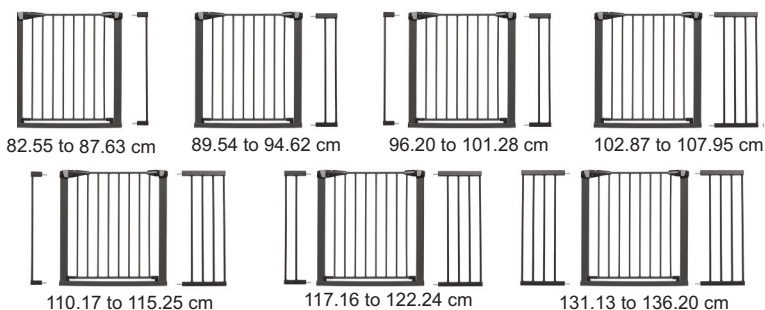
Outils nécessaires (non compris):

- Perceuse électrique
- Tournevis Phillips

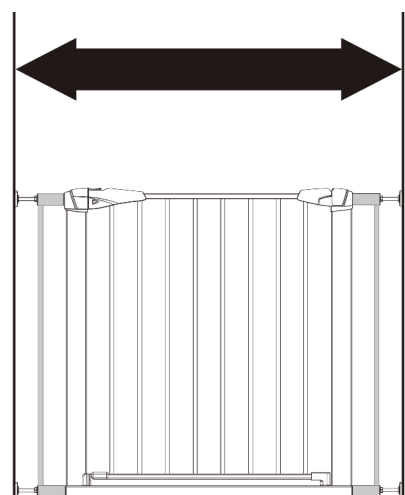


Guide d'extension

Cette la barrière se adapte ouvertures 73 cm de large (sans les extensions incluses) à 96,5 cm de large (avec les extensions 7,5 cm comprises). Si votre installation nécessite des rallonges supplémentaires, veuillez communiquer avec le détaillant qui vous a vendu la barrière. MidWest propose des rallonges de barrière des largeurs suivantes : 7,5 cm (dont deux sont comprises dans l'achat de la barrière), ainsi que 15 et 27,5 cm. La largeur maximale qui peut être atteinte est de 137,2 cm.



73,6 cm haute barrière
Sans Extensions

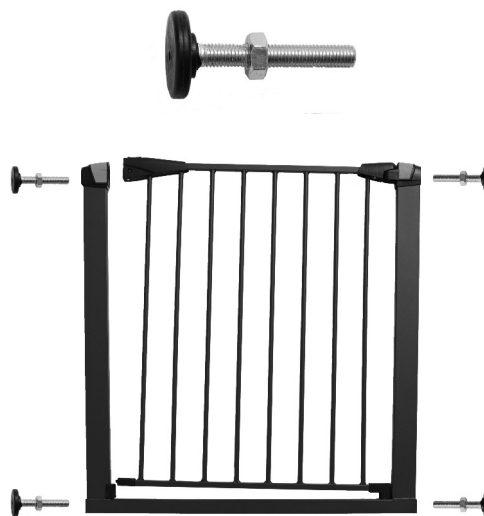


73,6 cm haute barrière avec deux extensions
7.62 cm (Vendu séparément)

CONSIGNES D'ASSEMBLAGE

Pour installer sans rallonge

1. Trouvez les 4 tiges filetées. Avant de commencer, tournez les écrous métalliques dans le sens des aiguilles d'une montre jusqu'à ce qu'ils soient proches des plaquettes en plastique. **REMARQUE** : Les écrous métalliques ne doivent pas toucher les plaquettes, car elles risquent de se coincer.
2. Insérez tel qu'indiqué les 4 tiges filetées dans les ouvertures des inserts en plastique situés aux quatre coins de la barrière. **IMPORTANT** : LES INSERTS EN PLASTIQUE NE SONT PAS FILETÉS. LES TIGES FILETÉES DOIVENT POUVOIR GLISSER SANS RÉSISTANCE DANS LES INSERTS. Enfoncez complètement les tiges filetées jusqu'à ce que chaque écrou métallique touche le cadre de la barrière.



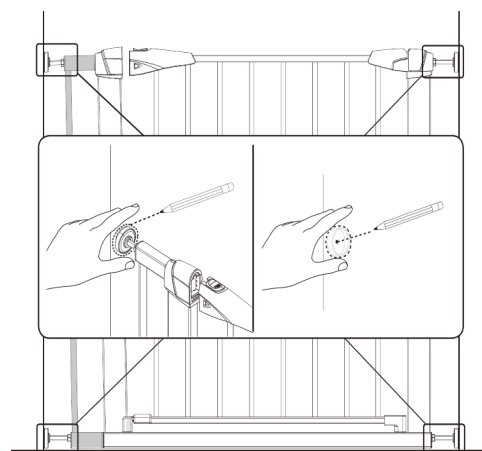
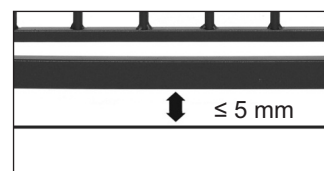
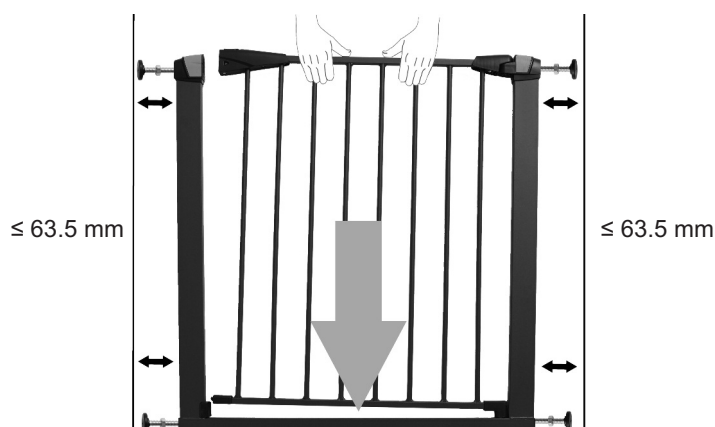
Mise en position et fixation des coupelles de montage dans l'ouverture

Votre barrière tient en place par pression, si bien qu'il n'est pas essentiel d'utiliser les coupelles de montage. L'utilisation des coupelles de montage permettra toutefois de fixer plus solidement votre barrière dans l'ouverture et vous préférerez peut-être les utiliser pour cette raison. Si vous choisissez de ne pas utiliser les coupelles de montage, vous pouvez passer dès maintenant à l'étape 4.

3. Avant de fixer les coupelles de montage à l'ouverture, assurez-vous d'avoir marqué correctement l'emplacement des trous de vis.

REMARQUE : Il est important d'installer la barrière à 5 mm du sol et à 63.5 mm des parois latérales de l'ouverture.

Disposez votre barrière tel qu'indiqué à niveau et centrée dans l'ouverture. Disposez les coupelles de montage sur les coussinets des tiges filetées, qui doivent déjà être complètement enfoncées aux quatre coins de la barrière. Retirez les tiges filetées jusqu'à ce que les coussinets et les coupelles de montage s'appuient sur la paroi. Tracez au crayon une légère marque sur la paroi autour des coupelles de montage. Une fois l'emplacement correctement marqué sur la paroi, retirez la barrière.



Si vous souhaitez utiliser les ancrés facultatives pour placoplâtre, percez un trou de guidage au centre de chacune des marques circulaires et enfoncez-y une ancre. (Reportez-vous à l'illustration a/b pour une utilisation avec des ancrés et des illustrations c pour une utilisation sans ancrés pour cloisons sèches.)

REMARQUE : les coussinets adhésifs de montage ne servent qu'à positionner les coupelles de montage, qui doivent également être vissées.

Retirez la pellicule protectrice de l'une des faces des coussinets adhésifs, puis disposez et collez un coussinet au centre de chacune des marques circulaires. Retirez la pellicule protectrice de l'autre face des coussinets adhésifs et collez une coupelle de montage sur chaque coussinet. Vissez dans la paroi les coupelles de montage au moyen des vis contenues dans le sac de quincaillerie.

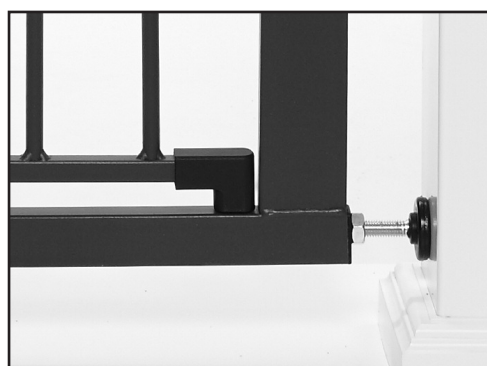
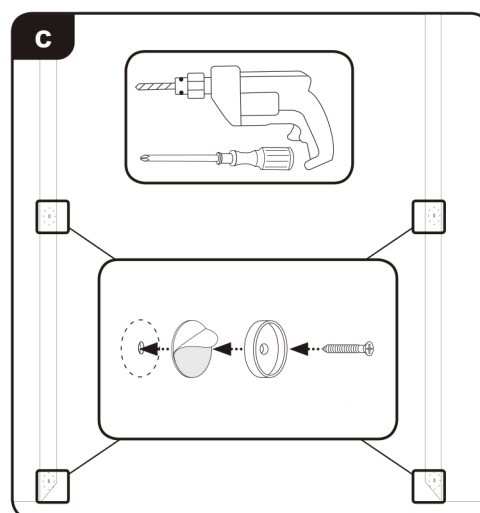
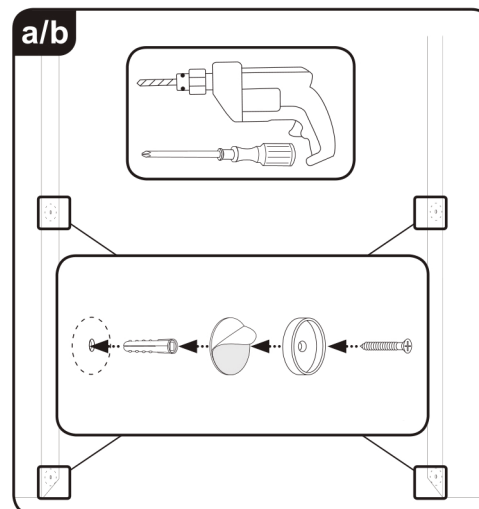
Installation de la barrière dans l'ouverture

4. Disposez d'abord votre barrière à niveau et centrée dans l'ouverture. REMARQUE : Il est important d'installer la barrière à 5 mm du sol et à 63.5 mm des parois latérales de l'ouverture.

Retirez les 4 tiges filetées des quatre coins du cadre jusqu'à ce que les coussinets s'appuient sur la paroi.

Si vous utilisez les coupelles de montage, les coussinets doivent s'appuyer sur les coupelles de montage que vous avez déjà fixées à la paroi.

5. Tout en tenant les coussinets appuyés sur la paroi, faites tourner dans le sens antihoraires les écrous métalliques jusqu'à ce qu'elles s'appuient sur le cadre tel qu'indiqué. NE LES SERREZ PAS ENCORE. L'ajustement final se fera à l'étape 6. ASTUCE : il pourrait être nécessaire, lorsque vous faites tourner les écrous métalliques, de tenir les tiges filetées afin de les empêcher elles-mêmes de tourner.



REMARQUE : une clé est fournie afin de faciliter au besoin le serrage final.

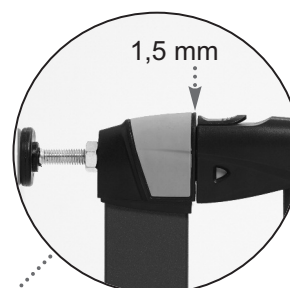
6. Pour caler solidement votre barrière dans l'ouverture, commencez par resserrer les écrous métalliques du BAS. Continuez de faire tourner dans le sens antihoraire les écrous métalliques jusqu'à ce qu'elles s'appuient fermement sur le cadre. **IMPORTANT** : la barrière doit être centrée latéralement sur l'ouverture. Afin de vous en assurer, comparez la longueur des tiges filetées qui dépassent de chaque côté de la barrière. Si les tiges filetées dépassent davantage d'un côté que de l'autre, il suffit de faire tourner dans le sens antihoraire la écrou métallique des tiges filetées qui dépassent davantage et dans le sens horaire la écrou métallique des tiges filetées qui dépassent le moins jusqu'à ce que la barrière soit bien centrée.
7. Répétez l'étape 6 pour resserrer les écrous métalliques du HAUT. Ici aussi, la barrière doit être centrée latéralement sur l'ouverture. Lorsque vous resserrerez les écrous métalliques du haut, vous remarquerez que l'écart diminuera entre le loquet de la porte et le cadre. Continuez de faire tourner les écrous métalliques du haut jusqu'à ce que le loquet de la porte frôle le cadre. **REMARQUE** : si vous ne l'avez pas encore fait, vous pouvez maintenant couper l'attache retenant au cadre la porte de la barrière.

IMPORTANT : le cadre ne doit pas toucher au loquet de la porte. S'il y touche, il suffit de desserrer de quelques tours les poignées d'ajustement du haut jusqu'à ce que l'écart atteigne 1,5 mm. Votre barrière est maintenant prête à être utilisée.

Pour vérifier l'installation

Appliquez de la pression sur le cadre pour vous assurer que la barrière est solidement fixée dans l'ouverture, puis sur la porte pour vous assurer que les loquets du haut et du bas se verrouillent solidement dans le cadre.

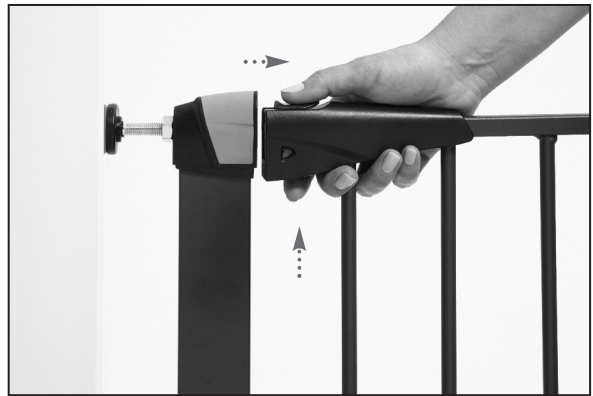
REMARQUE : s'il est difficile de déverrouiller la porte, les tiges filetées sont peut-être trop serrées.



Utilisation de la porte

Tirez sur le bouton de déverrouillage tout en appuyant avec le pouce sur le bouton ci-dessous. Soulevez la porte vers le haut et balancez ouverte dans le sens ou l'autre.

La porte se fermer et verrouiller automatiquement. Si elle ne se verrouille pas automatiquement, la barrière n'est peut-être pas parfaitement horizontale. Ajustez-la au besoin. ATTENTION : après avoir refermé la porte, vérifiez TOUJOURS qu'elle se verrouille correctement.

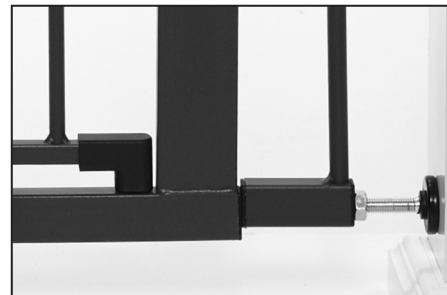


Instructions pour la rallonge de 7,5 cm

1. Déterminez d'abord quelle rallonge ou combinaison de rallonges convient à votre ouverture.

REMARQUE: Les extensions supplémentaires sont vendues séparément.

2. Reliez tel qu'indiqué la tige de rallonge au cadre de la barrière.
3. Une fois reliées à la barrière les rallonges nécessaires, enfoncez-y les 4 tiges filetées et suivez les instructions à partir de l'étape 1.



Dépannage

Si la porte de la barrière ne demeure pas fermée

1. Le loquet supérieur n'est pas correctement ajusté.
SOLUTION : ajustez la tension des écrous métalliques supérieures en les faisant tourner dans le sens antihoraire pour relâcher la tension ou dans le sens horaire pour augmenter la tension. Assurez-vous également que le bouton du loquet supérieur s'enclenche solidement lorsque la porte se referme et qu'il s'ouvre bien lorsque vous appuyez sur le bouton d'ouverture.
2. La barrière est hors d'alignement
SOLUTION : même si cela est inhabituel, certains cadres de porte sont parfois désalignés. Si c'est le cas, vous devrez ajuster les poignées d'ajustement afin d'aligner correctement la barrière. Enlevez et installez à nouveau correctement la barrière.

Pour retirer la barrière de l'ouverture

Pour retirer la barrière de l'ouverture, faites d'abord tourner dans le sens horaire les écrous métalliques jusqu'à ce que les coussinets en plastique des tiges filetées sortent des coupelles de montage ou s'éloignent de la paroi.

GARANTIE LIMITÉE DU FABRICANT

1. La compagnie MidWest Homes For Pets ("MidWest"), garantit pour une période d'un (1) an à compter de la date de l'achat initial, que si cette barrière pour animal se révèle défectueuse en raison de main-d'oeuvre et/ou de matériaux inappropriés, la compagnie MidWest, à son gré, réparera ou remplacera les pièces défectueuses sans frais de pièces et d'expédition. Les pièces de rechange sont garanties pour le restant de la période originale de la garantie.
2. **CETTE GARANTIE NE COUVRE PAS** les défauts de la structure en bois causés par un animal, ou par l'usage abusif ou impropre de la barrière de l'animal, ainsi que tous dommages causés par l'acheteur original ou une tierce personne, ou tous défauts découverts ou survenus plus d'un (1) an après la date d'achat original du produit.
3. **POUR OBTENIR DU SERVICE AUX TERMES DE LA GARANTIE:**
 - A. Pour signaler une défectuosité alléguée ou pour obtenir des pièces manquantes, l'acheteur doit téléphoner à un représentant du service à la clientèle à la LIGNE D'ASSISTANCE de MidWest au 800-428-8560.
 - B. Le représentant du service à la clientèle déterminera si la défectuosité est couverte par cette garantie; si c'est le cas, il donnera son autorisation et indiquera à l'acheteur comment remédier à la situation.
 - C. MidWest peut exiger de l'acheteur qu'il présente son reçu de caisse ou une autre preuve d'achat avant d'autoriser le retour de la cage ou son remplacement. Tout retour ou remplacement doit être dûment autorisé. Si l'autorisation est accordée pour un retour ou pour un remplacement, MidWest pourra demander à l'acheteur de lui renvoyer l'article ou permettre à MidWest de le ramasser.
4. **TOUTE GARANTIE EXPRESSE NON PRÉVUE DANS LE PRÉSENT DOCUMENT ET TOUT RECOURS POUR RUPTURE DE CONTRAT QUI, SAUF POUR CE QUI CONCERNE CETTE DISPOSITION, POURRAIT SURVENIR IMPLICITEMENT OU PAR L'APPLICATION D'UNE LOI, SONT PAR LES PRÉSENTES EXCLUS ET REJETÉS. LES GARANTIES IMPLICITES DE QUALITÉ MARCHANDE OU D'APTITUDE À UN USAGE DÉTERMINÉ SONT EXPRESSÉMENT LIMITÉES À UN TERME D'UN (1) AN. ÉTANT DONNÉ QUE CERTAINS ÉTATS N'AUTORISENT PAS DE LIMITATION À LA DURÉE D'UNE GARANTIE IMPLICITE, LES LIMITES PRÉCITÉES PEUVENT NE PAS S'APPLIQUER À VOUS.**
5. **QUELLES QUE SOIENT LES CIRCONSTANCES, MIDWEST NE SERA PAS RESPONSABLE ENVERS L'ACHETEUR OU UNE AUTRE PERSONNE DE DOMMAGES SPÉCIAUX, FORTUITS OU INDIRECTS, QUE CES DOMMAGES SURVIENNENT À LA SUITE D'UNE RUPTURE DE GARANTIE, D'UNE RUPTURE DE CONTRAT OU AUTREMENT. ÉTANT DONNÉ QUE CERTAINS ÉTATS N'AUTORISENT PAS D'EXCLUSION OU DE LIMITATION POUR CE QUI CONCERNE LES DOMMAGES FORTUITS OU INDIRECTS, LES LIMITATIONS ET LES EXCLUSIONS PRÉCITÉES PEUVENT NE PAS S'APPLIQUER À VOUS.**
6. Cette garantie vous donne des droits légaux spécifiques; vous pourriez également avoir d'autres droits.

For a Complete Listing of Products

Crates • Exercise Pens • Pet Beds
Feed Bowls • Carriers • Kennels . . .

Come Visit Our Website
midwesthomes4pets.com



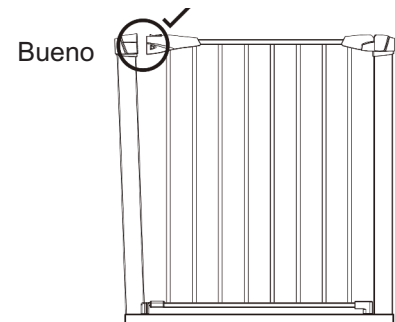
Keeps Pets in a Good Place .

Instrucciones de armado para el Modelo Número **2929SW-GL; 2939SW-GL; 2929SG-GL; 2939SG-GL**

INFORMACIÓN IMPORTANTE

Desembale y retire todas las piezas de la caja. Conserve la caja y el material de embalaje hasta que el producto se encuentre armado. En caso de devolución o cambio, que el material no sea devuelto en condiciones similares a las que se recibió, puede representar una limitación en el reembolso. Sírvase conservar la factura como comprobante de compra para los efectos de la garantía. Verifique contar con todas las piezas detalladas a continuación. Si descubre que falta alguna de las piezas, contáctese de inmediato con nuestro servicio de asistencia gratuita al 1-800-428-8560 (lunes - viernes de 9 a.m. a 4 p.m. EST) o a info@midwesthomes4pets.com. Para proteger el acabado del corral, utilice solamente limpiadores suaves. Cualquier material basto para fregar o abrasivo podría dañar el acabado.

IMPORTANTE: Usted se dará cuenta antes del montaje que hay una **BRECHA** entre el pestillo de la puerta y el cuadro de la barrera. **ESTO NO ES UN DEFECTO**. Su barrera se instala bajo presión y esta brecha desaparecerá cuando la barrera será bien instalada en la apertura. Para facilitar la instalación, la puerta de la barrera se mantiene al cuadro por una fijación. Para simplificar la instalación, se recomienda que espere hasta que la instalación sea casi completa – preferentemente a la etapa 7 – antes de cortar la fijación.



ADVERTENCIAS: Esta barrera debe ser UTILIZADA SÓLO PARA LOS ANIMALES DE COMPAÑÍA. NUNCA se debe utilizar esta barrera para los niños. Nunca instale la barrera en la parte superior de las escaleras.

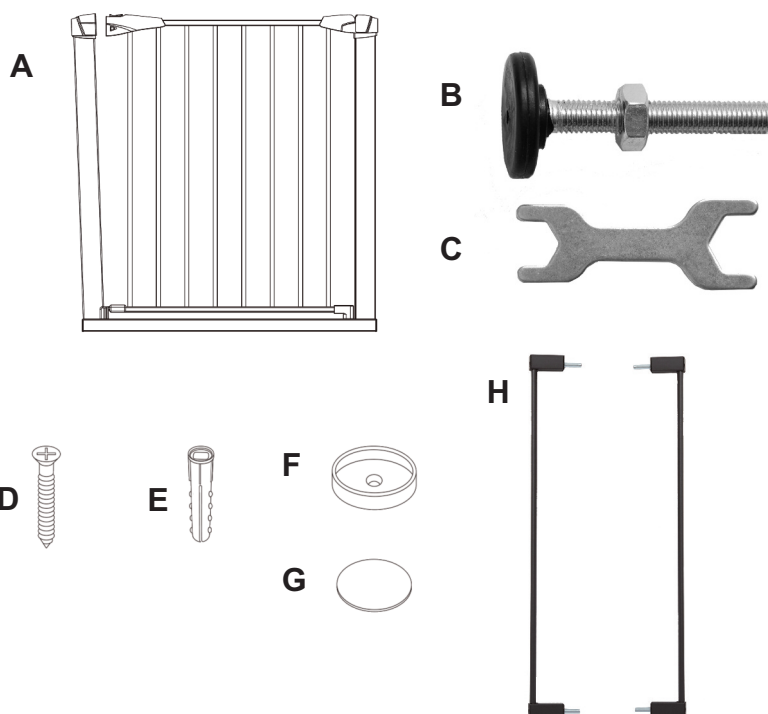
Lea las siguientes instrucciones cuidadosamente.

- Guarde las instrucciones para referencia futura. Si alguna vez decide adquirir extensiones, se necesitará este manual de instrucciones.
- Una instalación defectuosa podría permitir que la barrera se vuelva inestable o desalojar la apertura.
- Asegúrese de que la barrera se mantiene entre dos áreas limpias y sólidas.
- No retire las etiquetas de seguridad, porque otros que usted podrían utilizar la barrera.
- Asegúrese de que las extensiones estén todavía firmemente unidas a la barrera antes de usarla.
- Compruebe regularmente la tensión de los soportes ajustables para asegurarse que la barrera se mantiene firmemente en su lugar.
- Nunca use más de dos extensiones por barrera! Nunca instale dos extensiones al mismo lado de la barrera.
- Para prevenir las caídas, nunca instale la barrera en la parte superior de las escaleras.
- Asegúrese que el mecanismo de bloqueo está todavía firmemente activado.
- No le utilice si hay algún elemento faltante o dañado.
- Mantenga las piezas pequeñas fuera del alcance de las mascotas y de los niños.



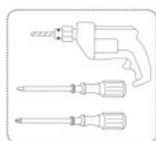
IDENTIFICACIÓN DE LAS PIEZAS

- A Cuadro de la barrera
- B Vástago roscado con tuerca metálica (4)
- C Llave
- D Tornillos (4)
- E Anclajes para paneles de yeso-cartón (4)
- F Copas de montaje (4)
- G Casquillos adhesivos de montaje (4)
- H Extensiones de 7,5 cm (2)



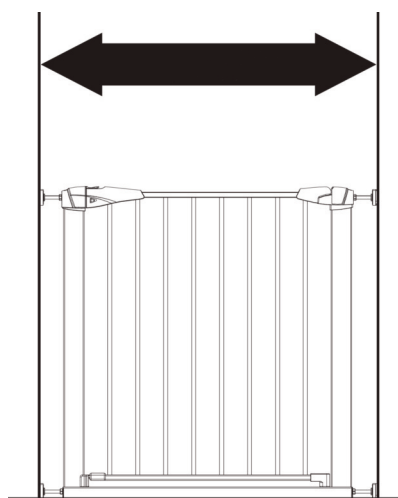
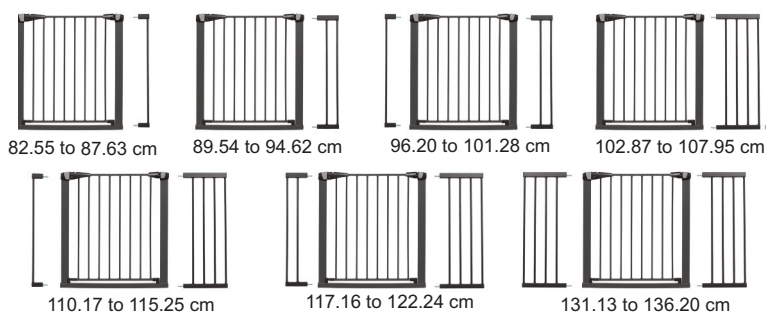
Herramientas necesarias (no incluido):

- Taladradora eléctrica
- Destornillador Phillips

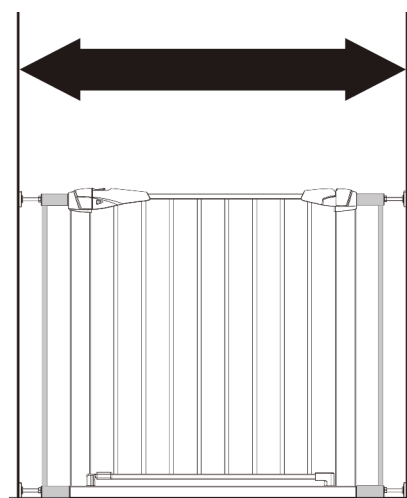


Guía de extensión

Esta puerta se ajusta aberturas 73 cm de ancho (sin las extensiones incluidas) a 96,5 cm de ancho (con los incluidos 7,5 cm extensiones). Si su instalación requiere extensiones adicionales, por favor póngase en contacto con el distribuidor que le vendió la barrera. MidWest ofrece extensiones de barrera de las anchuras siguientes: 7,5 cm (dos de las cuales están incluidas en la compra de la barrera), así como 15 y 27,5 cm. La anchura máxima que se puede alcanzar es 137,1 cm.



73,6 cm de altura barrera
sin extensiones



73,6 cm puerta de alto con
dos extensiones
7.62 cm (se vende por separado)

INSTRUCCIONES PARA EL ARMADO

Para instalar sin extensión

1. Encuentra los 4 vástagos roscados. Antes de empezar, haga girar en sentido horario las tuercas metálicas anejas de ajuste hasta que se acercan a los casquillos. **NOTA:** las tuercas metálicas no deben tocar los casquillos, ya que podrían atascarse.
2. Insertar como indicados los 4 vástagos roscados en las aperturas de los insertos de plástico situados en los cuatro rincones de la barrera. **IMPORTANTE:** LOS INSERTOS DE PLÁSTICO NO SON ROSCADOS. LOS VÁSTAGOS ROSCADOS DEBEN SER CAPACES DE RESBALAR EN LOS INSERTOS SIN RESISTENCIA. Presione completamente los vástagos roscados hasta que las tuercas metálicas toquen el cuadro de la barrera.



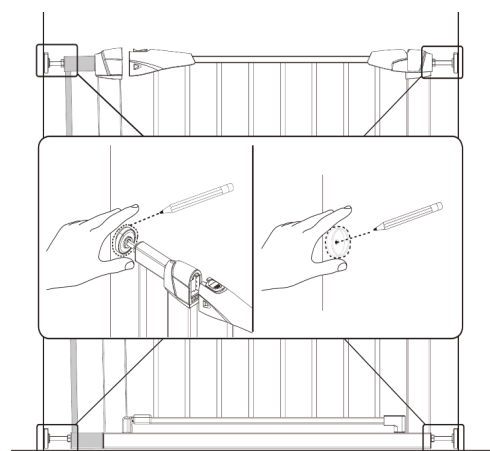
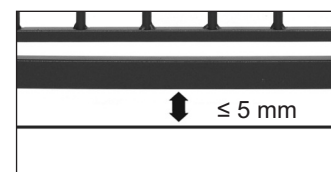
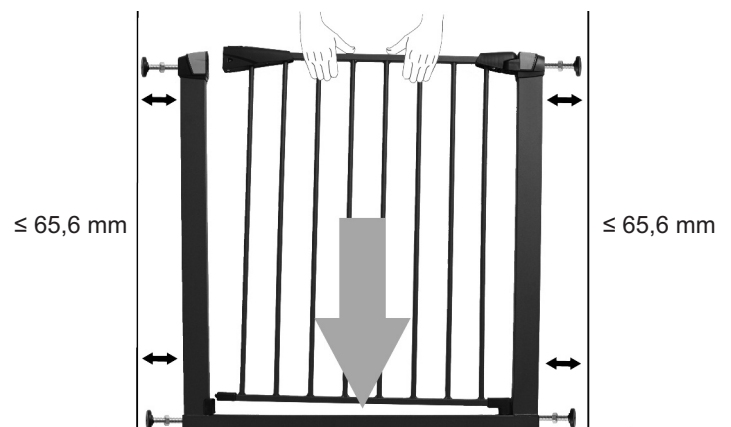
Colocación y fijación de las copas de montaje en la apertura

Su barrera se mantiene en su lugar por la presión, por lo que no es esencial utilizar las copas de montaje. Pero el uso de copas de montaje fijará más firmemente la barrera en la apertura y usted podría preferir utilizar ellas por esa razón. Si decide no utilizar las copas de montaje, se puede ir ahora a la etapa 4.

3. Antes de fijar las copas de montaje a la apertura, asegúrese de haber marcado correctamente la ubicación de los agujeros de los tornillos.

NOTA: es importante instalar la barrera a 5 mm del suelo ya 65,6 mm de las paredes laterales de la apertura.

Tiene la barrera como se muestra en nivel y centrada en la apertura. Coloque las copas de montaje sobre los casquillos de los vástagos roscados, que ya deben estar completamente insertados en los cuatro rincones de la barrera. Retire los vástagos roscados hasta que los casquillos y las copas de montaje se basan en la pared. Dibuje una marca de lápiz ligera en la pared alrededor de las copas de montaje. Una vez que la ubicación está marcada correctamente en la pared, retire la barrera.



Si desea utilizar los anclajes de panel de yeso-cartón opcionales, perforo un agujero guía en el centro de cada una de las marcas circulares y inserte un anclaje. (Vea la ilustración a/b para el uso con las anclas y la ilustración c para su uso sin escarpas.)

NOTA: Los casquillos adhesivos de montaje sólo sirven para colocar las copas de montaje, que también deben ser atornilladas.

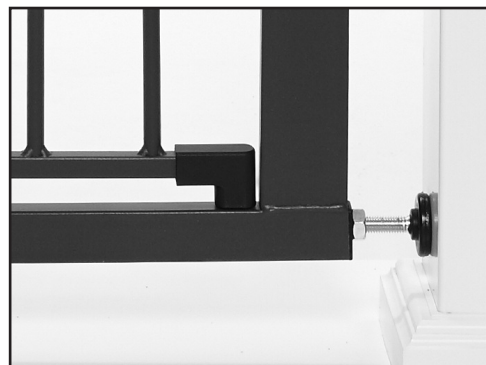
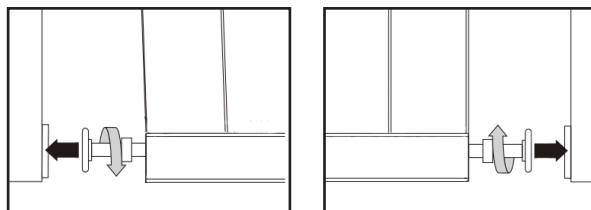
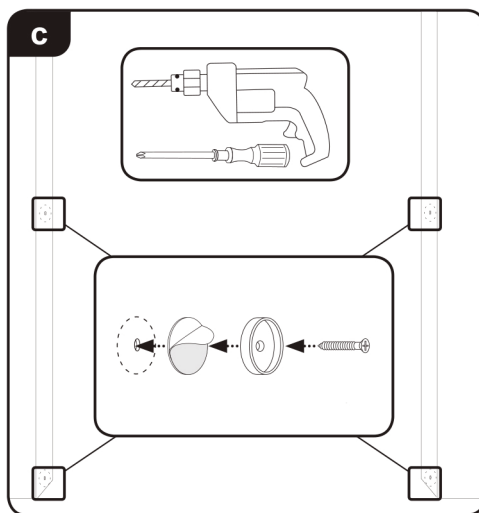
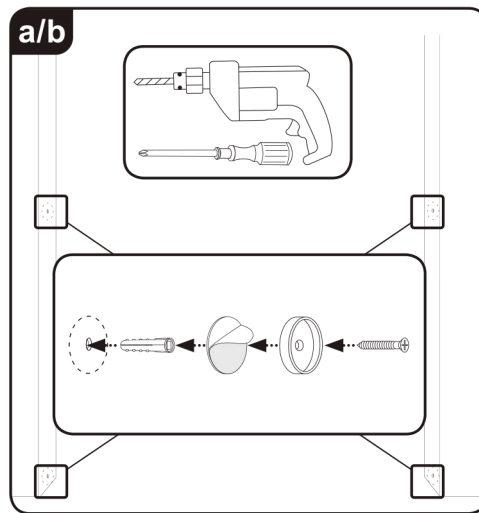
Retire la película de protección de un lado de los casquillos adhesivos, coloque los casquillos y péguelos en el centro de cada una de las marcas circulares. Retire la película de protección del otro lado de los casquillos adhesivos y pegue una copa de montaje sobre cada casquillo. Atornille en la pared las copas de montaje mediante los tornillos incluidos en la bolsa de artículos de ferretería.

Instalación de la barrera en la apertura

- Primero, coloque la barrera de nivel y centrada en la apertura. NOTA: es importante instalar la barrera a 5 mm del suelo ya 65,6 mm de las paredes laterales de la abertura.

Retire los 4 vástagos roscados de los cuatro rincones del cuadro hasta que los casquillos estén apoyados por la pared. **Si usted utiliza las copas de montaje, los casquillos deben basarse en las copas de montaje que ya ha fijado a la pared.**

- Mientras sostiene los casquillos apoyados sobre la pared, gire en sentido antihorario las tuercas metálica hasta que coloquen sobre el cuadro como se muestra. NO APRIETE TODAVÍA. El ajuste final se realizará a la etapa 6. CONSEJO: podría ser necesario, cuando se gira las tuercas metálica, de mantener los vástagos roscados para evitar que se vuelvan ellos mismos.



NOTA: se proporciona una llave para facilitar el apriete final según sea necesario.

6. Para apoyar firmemente su barrera en la apertura, primero apriete las tuercas metálica de ABAJO. Mantenga girando en sentido antihorario las tuercas metálica hasta que se basan firmemente en el cuadro. **IMPORTANTE:** la barrera debe estar centrada lateralmente en la apertura. Para asegurarse, compare la longitud de los vástagos roscados que sobresalen de cada lado de la barrera. Si los vástagos roscados exceden más de un lado que del otro, simplemente gire en sentido antihorario las tuercas metálica de los vástagos roscados que exceden más, y en sentido horario las tuercas metálica de los vástagos roscados que exceden menos hasta que se centre la barrera.



7. Repita la etapa 6 para apretar las manijas de ajuste de arriba. Aquí también, la barrera debe ser centrada lateralmente en la apertura. Cuando aprieta las manijas de ajuste de arriba, se dará cuenta de que la brecha se reducirá entre el pestillo de la puerta y el cuadro. Mantenga girando las tuercas metálica de arriba hasta que el pestillo de la puerta rosque el cuadro. **NOTA:** si no lo ha hecho, ahora se puede cortar la fijación manteniendo la puerta de la barrera al cuadro.

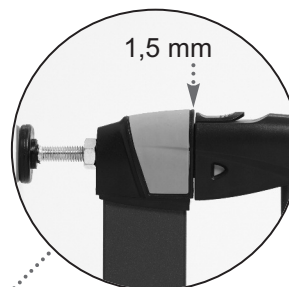


IMPORTANTE: el cuadro no debe tocar al pestillo de la puerta. Si toca, simplemente afloje algunas vueltas las tuercas metálica superiores hasta que la brecha llegue a 1,5 mm. Su barrera está lista para ser utilizada.

Para comprobar la instalación

Aplique presión sobre el cuadro para asegurar que la barrera está bien sujeta en la apertura, luego sobre la puerta para asegurarse de que los pestillos superiores e inferiores se bloquean firmemente en el cuadro.

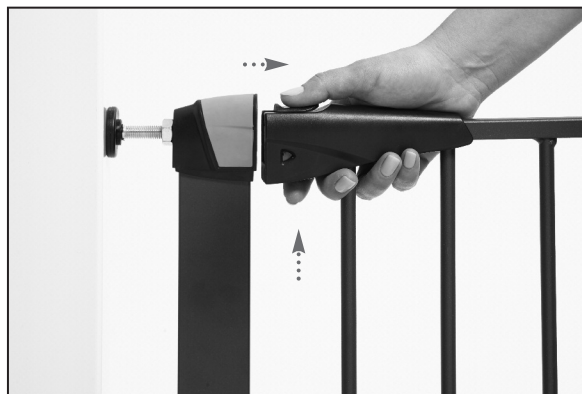
NOTA: si es difícil de desbloquear la puerta, los vástagos roscados pueden ser demasiado apretados.



Usando la puerta

Tire del botón de liberación hacia atrás con el pulgar mientras presiona hacia arriba en el botón debajo. Levante la puerta hacia arriba y se abren en sentido tampoco.

La puerta se cerrará automáticamente y el pestillo. Si no se bloquea automáticamente, la barrera puede no ser perfectamente horizontal. Ajustar si es necesario. **PRECAUCIÓN:** después de cerrar la puerta, compruebe SIEMPRE que encaje correctamente.

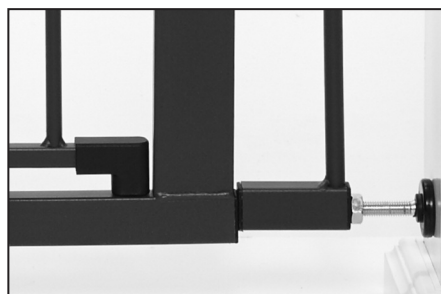


Instrucciones para la extensión de 7,5 cm

1. En primer lugar, determine qué extensión o combinación de extensiones está adecuada para su apertura.

NOTA: Las extensiones adicionales se venden por separado.

2. Conecte como se muestra la barra de extensión al cuadro de la barrera.
3. Una vez conectadas las extensiones necesarias a la barrera, empuje a los 4 vástagos roscados y siga las instrucciones desde la etapa 1.



Solución

Si la puerta de la barrera no queda cerrada

1. El pestillo superior no está ajustado correctamente.
SOLUCIÓN: ajuste la tensión de las tuercas metálica superiores girándolas en sentido antihorario para liberar la tensión o en sentido horario para aumentar la tensión. También asegúrese que el botón del pestillo superior encaje bien cuando la puerta se cierra y se abre así al pulsar el botón de apertura.
2. La puerta está fuera de alineación.
SOLUCIÓN: aunque esto es raro, algunos cuadros de puerta son a veces mal alineados. Si este es el caso, usted tendrá que ajustar las tuercas metálica para alinear correctamente la barrera. Retire y vuelva a instalar correctamente la barrera.

Para retirar la barrera de la apertura

Para retirar la barrera de la apertura, gire primero en sentido horario las tuercas metálica hasta que los casquillos de plástico de los vástagos roscados salan de las copas de montaje o se alejen de la pared.

GARANTIA LIMITADA DEL FABRICANTE

1. MidWest Homes For Pets ("MidWest") garantiza al comprador de esta barrera por un (1) año, a partir de la fecha de la compra original, si ésta resultase defectuosa por razones de manufactura incorrecta o material defectuoso. MidWest reparará o reemplazará, a su propia opción, cualquier parte defectuosa del muebles, sin cargo por el material o flete. Las partes de repuesto están garantizadas por el plazo restante de la garantía original.
2. **ESTA GARANTIA NO CUBRE** defectos en la barrera causados por cualquier animal, cualquier abuso físico o uso indebido del muebles, cualquier daño causado por el comprador original o cualquier otra parte, o cualquier defecto producido o descubierto más de un (1) año después de la fecha de la compra original al detalle.
3. **PASOS PARA OBTENER SERVICIO DE GARANTIA:**
 - A. El comprador debe llamar a MidWest HELPLINE, 800-428-8560, para reportar el supuesto defecto al representante del servicio al consumidor, u obtener las partes faltantes.
 - B. El representante del servicio al consumidor determinará si el defecto se encuentra cubierto por esta garantía, y si lo está, autorizará e instruirá al comprador respecto a cómo corregir el defecto.
 - C. MidWest puede solicitar al comprador que presente el recibo de venta u otra prueba de la adquisición antes de autorizar cualquiera devolución o reemplazo. No se permiten devoluciones o reemplazos sin la autorización correspondiente. Si se autoriza una devolución o reemplazo, se le podrá solicitar que devuelva la mercadería a MIDWEST o que prepare la mercadería para que pueda ser retirada por MidWest.
4. **EXCLUYE Y RENUNCIA A CUALQUIER GARANTIA EXPRESA NO INCLUIDA EN ESTE DOCUMENTO DE GARANTIA, Y CUALQUIER RECURSO POR INCUMPLIMIENTO DE CONTRATO QUE, EXCEPTO POR ESTA DISPOSICIÓN, PUEDA SURGIR POR IMPLICANCIA U OPERACION DE LA LEY. LAS GARANTIAS IMPLICITAS DE COMERCIABILIDAD Y DE IDONEIDAD PARA CUALQUIER PROPOSITO SE LIMITAN EXPRESAMENTE AL PLAZO DE UN (1) AÑO.**
5. **MIDWEST NO SERA RESPONSIBLE, BAJO NINGUNA CIRCUNSTANCIA, AL COMPRADOR O CUALQUIER OTRA PERSONA, POR CUALQUIER DAÑO ESPECIAL, INCIDENTAL O INDIRECTO CAUSADO POR INCUMPLIMIENTO DE GARANTIA, INCUMPLIMIENTO DE CONTRATO U OTRO. ALGUNOS ESTADOS NO PERMITEN LA EXCLUSION O LIMITACION DE DAÑOS INCIDENTALES O INDIRECTOS, POR LO TANTO LAS LIMITACIONES O EXCLUSIONES MENCIONADAS MAS ARRIBA PUDER SER INVALIDAS PARA USTED.**
6. Esta garantía le otorga derechos legales específicos, y también puede usted tener otros derechos que varían de un estado a otro.

For a Complete Listing of Products

Crates • Exercise Pens • Pet Beds
Feed Bowls • Carriers • Kennels . . .

Come Visit Our Website
midwesthomes4pets.com

